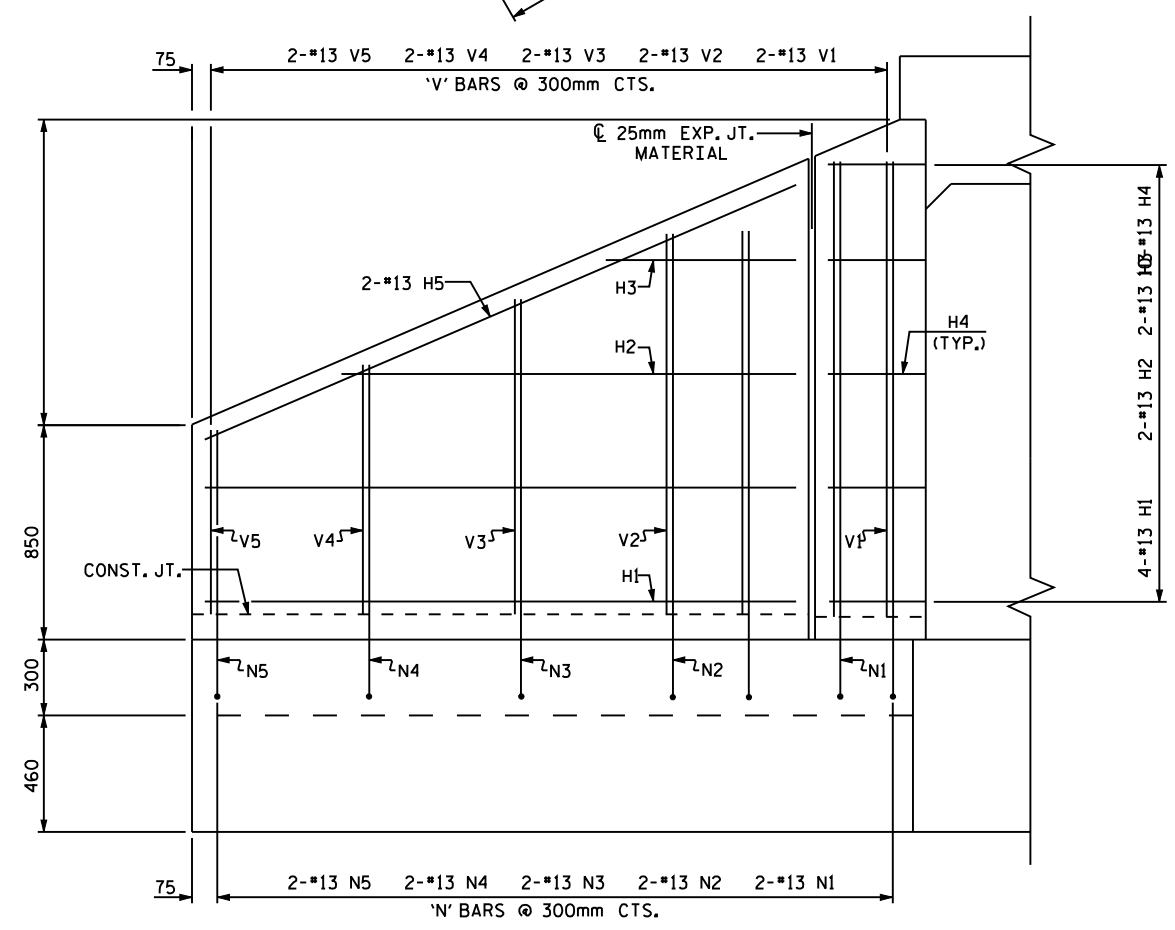


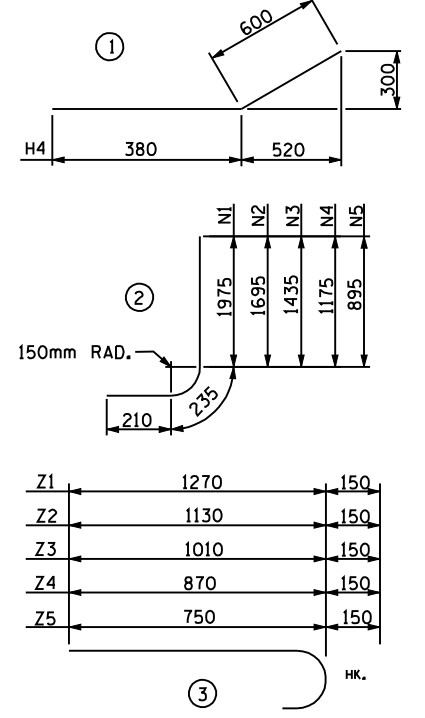
PLAN



ELEVATION

BAR TYPES

ALL BAR DIMENSIONS ARE OUT TO OUT.



BILL OF MATERIAL

BAR NO.	SIZE	TYPE	LENGTH	WEIGHT
H1	16	13 STR	2340	37
H2	8	13 STR	1800	14
H3	8	13 STR	800	6
H4	40	13 1	980	39
H5	8	13 STR	2540	20
N1	8	13 2	2420	19
N2	8	13 2	2140	17
N3	8	13 2	1880	15
N4	8	13 2	1620	13
N5	8	13 2	1340	11
T1	12	16 STR	2900	54
V1	8	13 STR	1800	14
V2	8	13 STR	1520	12
V3	8	13 STR	1260	10
V4	8	13 STR	1000	8
V5	8	13 STR	720	6
Z1	8	13 3	1420	11
Z2	12	13 3	1280	15
Z3	8	13 3	1160	9
Z4	8	13 3	1020	8
Z5	8	13 3	900	7

REINFORCING STEEL IN 4 WINGS 345 kg

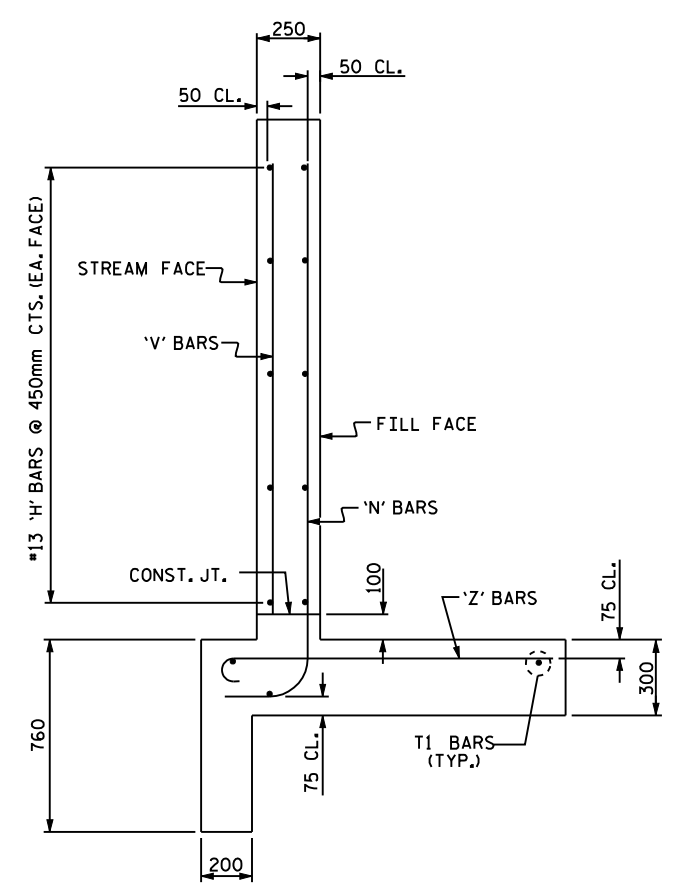
CLASS A CONCRETE

4 WINGS 9.5 m<sup>3</sup>

2 HEADWALLS m<sup>3</sup>

2 END CURTAIN WALLS m<sup>3</sup>

TOTAL m<sup>3</sup>



TYPICAL WING SECTION

PROJECT NO. \_\_\_\_\_  
 \_\_\_\_\_ COUNTY  
 STATION: \_\_\_\_\_

SHEET OF \_\_\_\_\_

STATE OF NORTH CAROLINA  
 DEPARTMENT OF TRANSPORTATION  
 RALEIGH

STANDARD WINGS  
 FOR  
 CONCRETE BOX CULVERT  
 H = 1.800m SLOPE = 2 : 1  
 90° SKEW

ASSEMBLED BY :	DATE :
CHECKED BY :	DATE :
DRAWN BY : KJA 06/97	
CHECKED BY : VAP 06/97	

REVISIONS				SHEET NO.	
NO.	BY:	DATE:	NO.	BY:	DATE:
1			3		
2			4		

TOTAL SHEETS